



audio-technica

ES947C/FM3

Cardioid Condenser Boundary Microphone

User Manual

English

Safety precautions

Although this product was designed to be used safely, failing to use it correctly may result in an accident. To ensure safety, observe all warnings and cautions while using the product.

Cautions for the product

- Do not subject the product to strong impact to avoid malfunction.
- Do not disassemble, modify or attempt to repair the product.
- Do not handle the product with wet hands to avoid electric shock or injury.
- Do not store the product under direct sunlight, near heating devices or in a hot, humid or dusty place.

Notes on use

- Do not swing or pull with the cable connected to the microphone to prevent the microphone from becoming disconnected or damaged.
- Do not wind the cable around the rack or allow the cable to become pinched.
- The microphone should be placed on a flat, unobstructed mounting surface.
- Placing any object on a surface (such as a conference table) before its finish is fully cured may result in damage to the finish.

Using the product

Included accessories

1



2



3



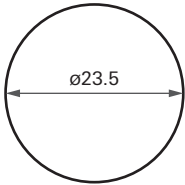
1 Rubber isolator (1)

2 Rubber isolator (2)

3 Nut

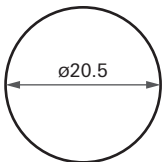
How to mount the product

Table/ceiling hole size (when using isolators)



(Unit: mm)

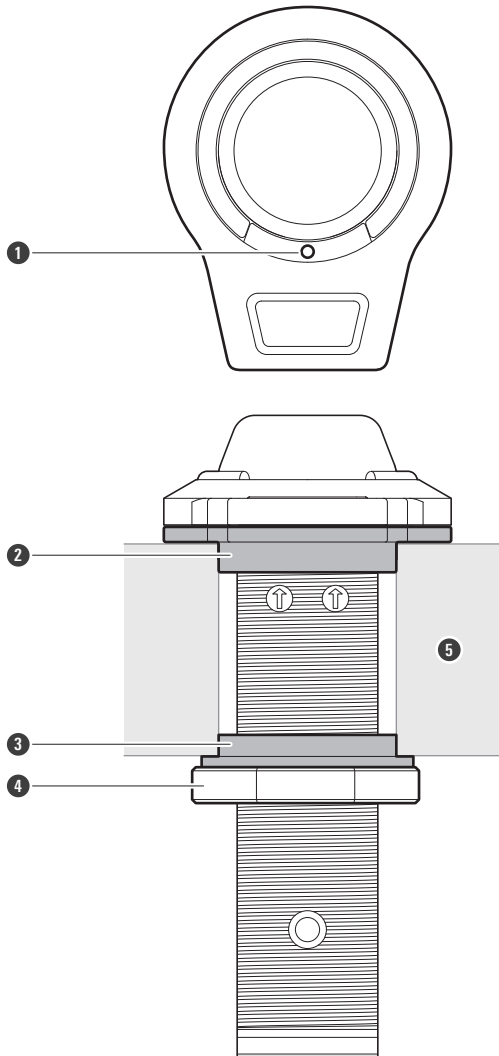
Table/ceiling hole size (when not using isolators)



(Unit: mm)

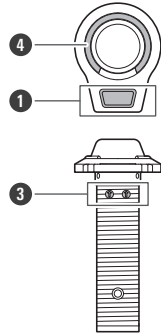
Using the product

Example: Mounting on a table



- ① Front-of-mic indicator
- ② Rubber isolator (1)
- ③ Rubber isolator (2)
- ④ Nut
- ⑤ Table

Switch setting and functions



1. Action	2. Audio status	3. LED color	4. LED status
		<p>LED COLOR</p> <p>MIC OFF MIC ON</p>	
		<p>MIC OFF MIC ON</p>	
		<p>MIC OFF MIC ON</p>	

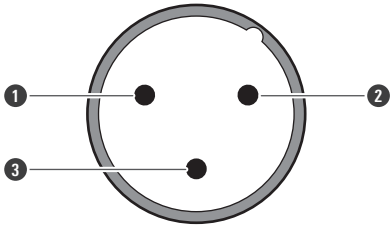
LED color

▼	1	2	3
OFF	RED	GREEN	YELLOW

4	5	6	7
BLUE	MAGENTA	CYAN	WHITE

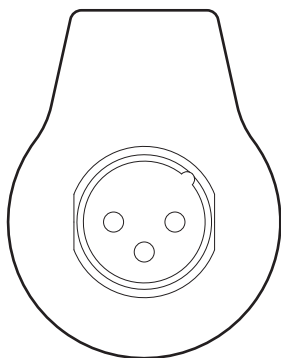
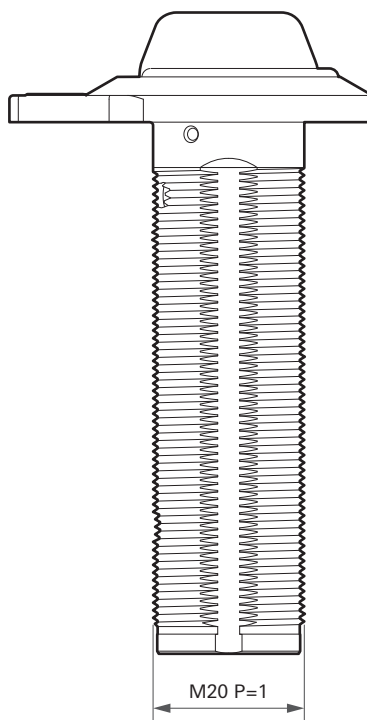
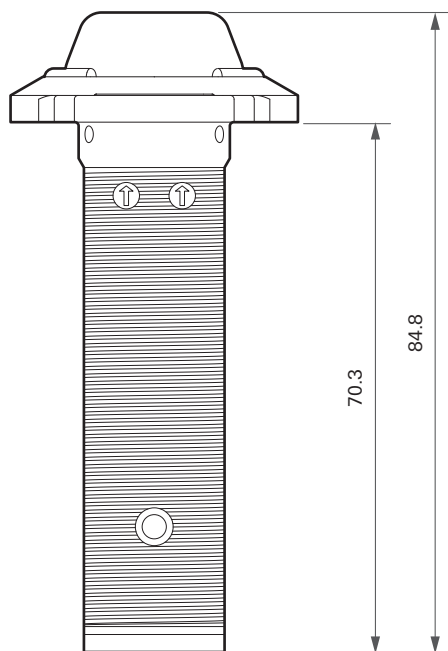
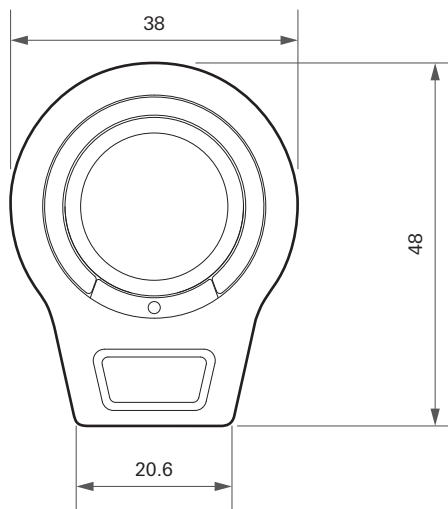
Connection procedure

The output connector is an XLR-M type with polarity as shown in the figure below.



- ① PIN1 (ground)
- ② PIN2 (hot)
- ③ PIN3 (cold)

Dimensions



(Unit: mm)

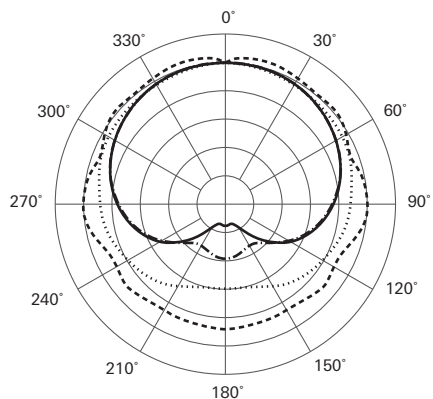
Specifications

Element	Fixed-charge back plate, permanently polarized condenser
Polar pattern	Cardioid
Frequency response	70 to 15,000 Hz
Open circuit sensitivity	-37 dB (0 dB = 1 V/Pa, 1 kHz)
Impedance	60 ohms
Maximum input sound level	134 dB SPL (1 kHz at 1% THD)
Dynamic range	110 dB (1 kHz at Max SPL)
Signal-to-noise ratio	70 dB (1 kHz at 1 Pa, A-weighted)
Phantom power requirements	11-52 V DC, 7.5 mA
Weight	59 g (2.1 oz)
Dimensions	38 mm (1.50") × 48 mm (1.89") × 84.8 mm (3.34") (W × D × H)
Output connector	Integral 3-pin XLR-M type
Included accessories	Rubber isolator (2 types), Nut





- 1 Pascal = 10 dynes/cm² = 10 microbars = 94 dB SPL
- For product improvement, the product is subject to modification without notice.

Polar pattern/Frequency response

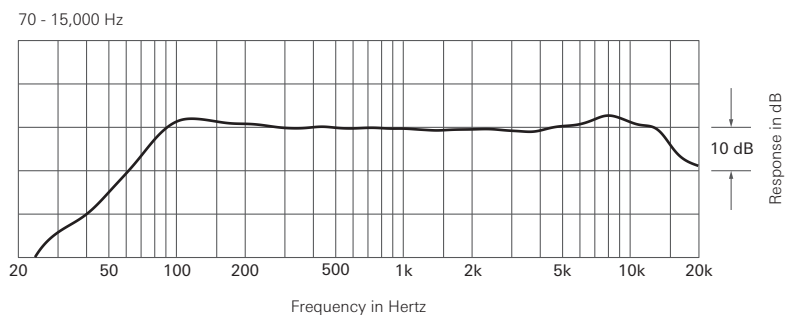
Polar pattern




LEGEND

	200 Hz	SCALE IS 5 DECIBELS PER DIVISION
	1 kHz	
	5 kHz	
	8 kHz	

Frequency response



LEGEND

	0°, 50 cm
---	-----------

株式会社オーディオテクニカ

〒194-8666 東京都町田市西成瀬2-46-1
www.audio-technica.co.jp

Audio-Technica Corporation

2-46-1 Nishi-naruse, Machida, Tokyo 194-8666, Japan
www.audio-technica.com
©2021 Audio-Technica Corporation
Global Support Contact: www.at-globalsupport.com